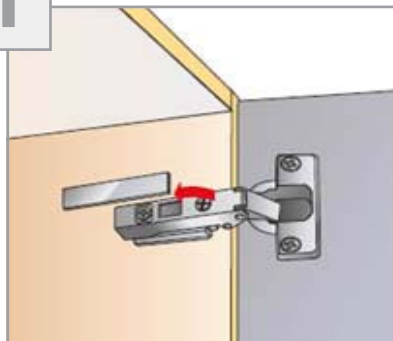
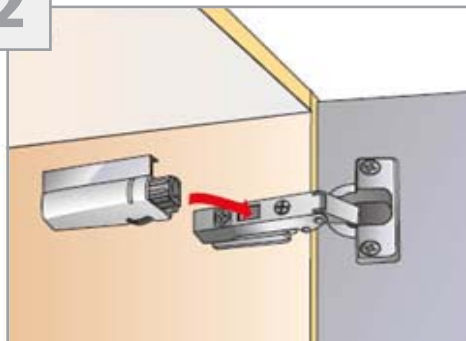


## Montage

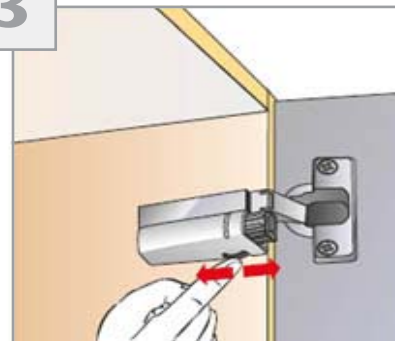
1



2

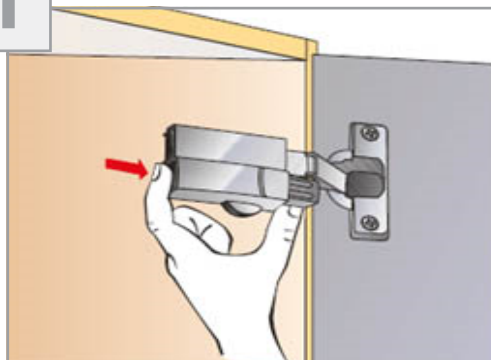


3

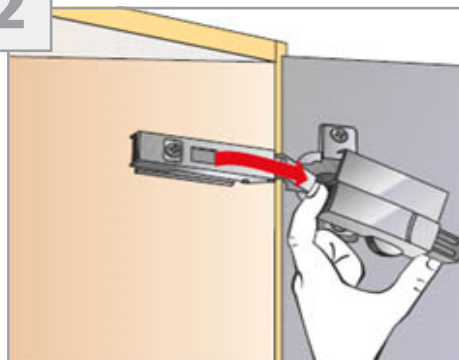


## Demontage

1



2



**Mod. 231/75RA**

**PACK. 463**